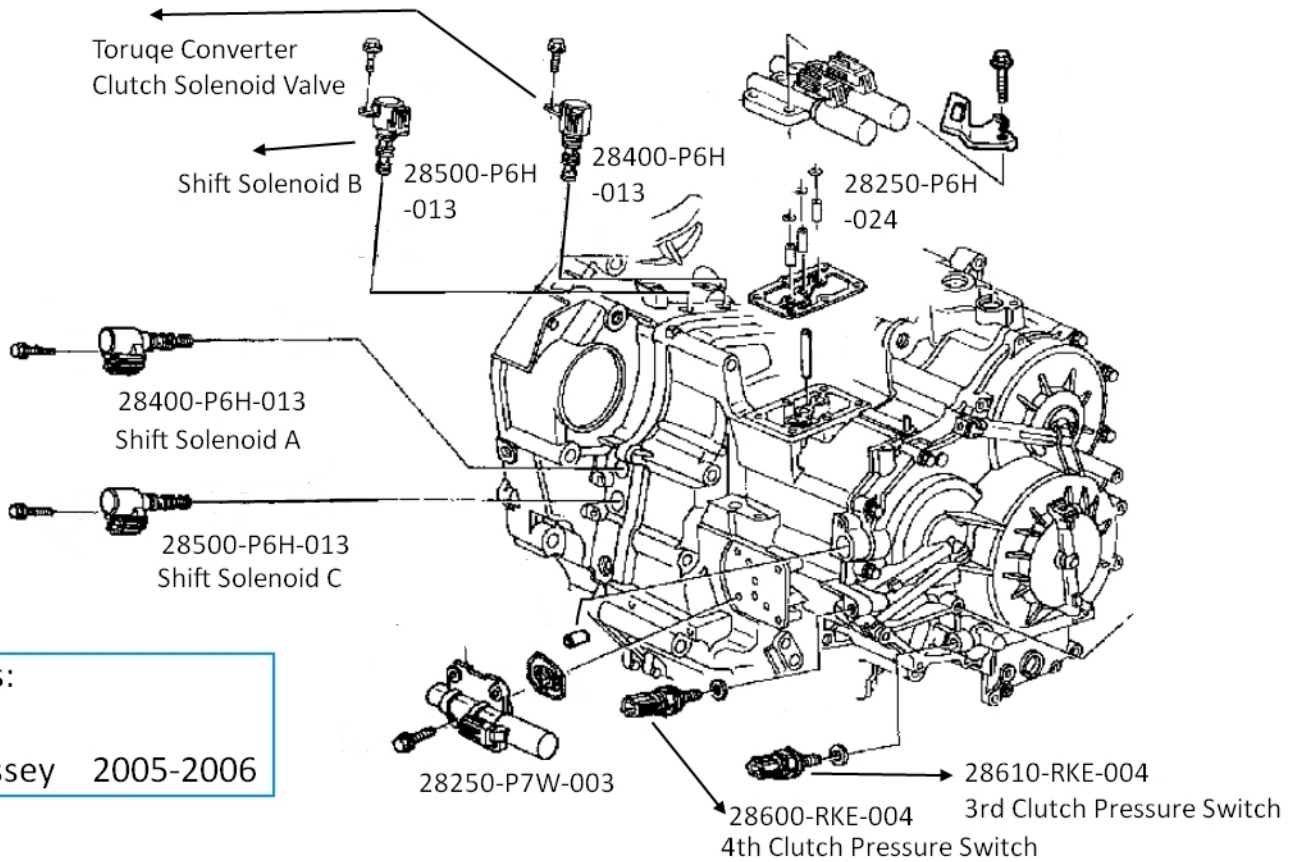


Honda & Acura 28600-RKE-004

Replace 28600-RAY-003, 28600-RAY-013

and 28600-P7W-003, 28600-P7W-013

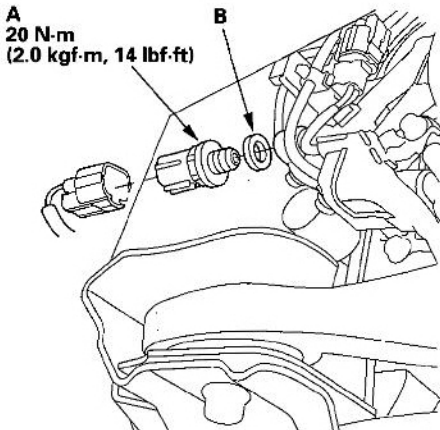
Model 1



Applications:
5AT
Honda Odyssey 2005-2006

4th Clutch Transmission Fluid Pressure Switch Replacement

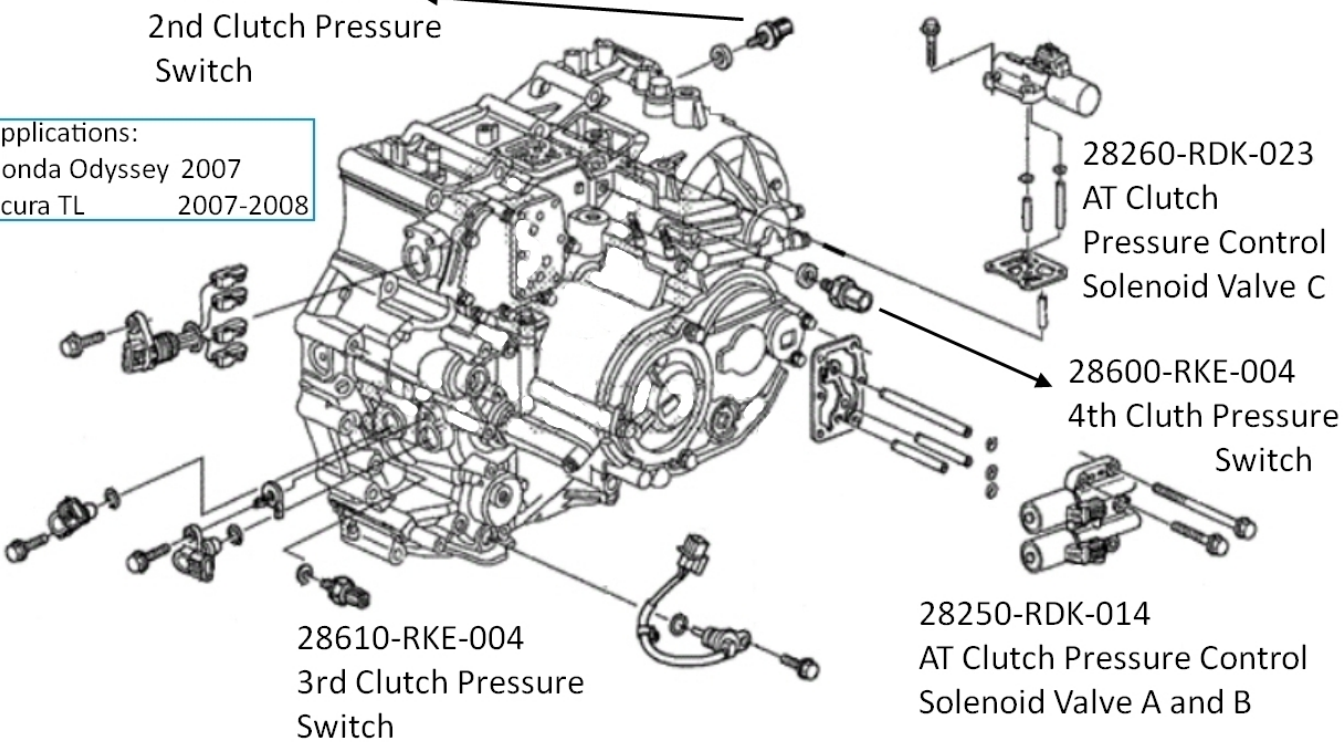
1. Raise the vehicle on a lift.
2. Remove the splash shield.
3. Disconnect the connector from the 4th clutch transmission fluid pressure switch (A).
4. Remove the switch, then install a new one with a new sealing washer (B). Do not tighten the switch using the plastic connector.
5. Check the connector for water, corrosion, dust, and oil, then connect the connector securely.
6. Install the splash shield.



Model 2

28600-RKE-004
2nd Clutch Pressure
Switch

Applications:
Honda Odyssey 2007
Acura TL 2007-2008



28260-RDK-023
AT Clutch
Pressure Control
Solenoid Valve C

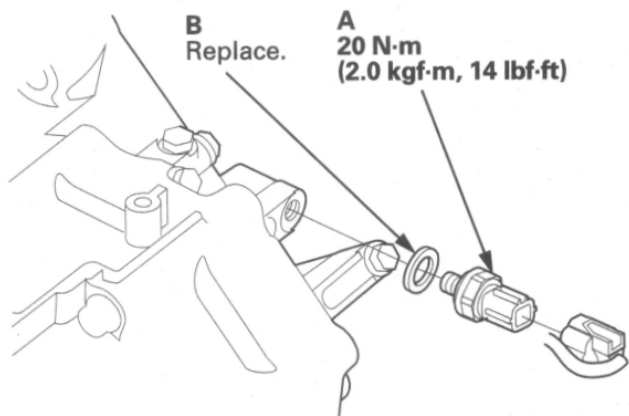
28600-RKE-004
4th Clutch Pressure
Switch

28250-RDK-014
AT Clutch Pressure Control
Solenoid Valve A and B

28610-RKE-004
3rd Clutch Pressure
Switch

Transmission Fluid Pressure Switch A (2nd Clutch) Replacement

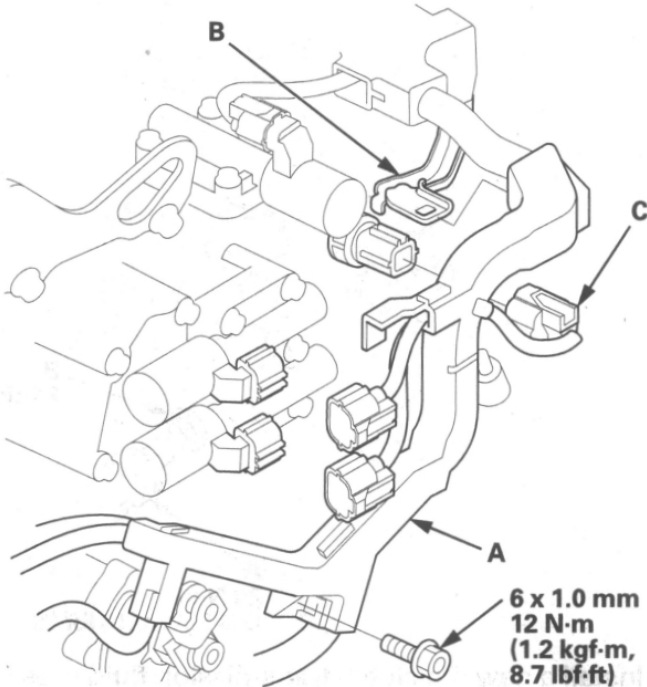
1. Remove the engine cover.
2. Disconnect the transmission fluid pressure switch A (2nd clutch) connector, and remove transmission fluid pressure switch A (2nd clutch) (A) and the sealing washer (B).
3. Install new transmission fluid pressure switch A (2nd clutch) and a new sealing washer, and tighten the switch.
4. Check the connector for rust, dirt, or oil, and clean or repair if necessary, then connect the connector securely.
5. Install the engine cover.



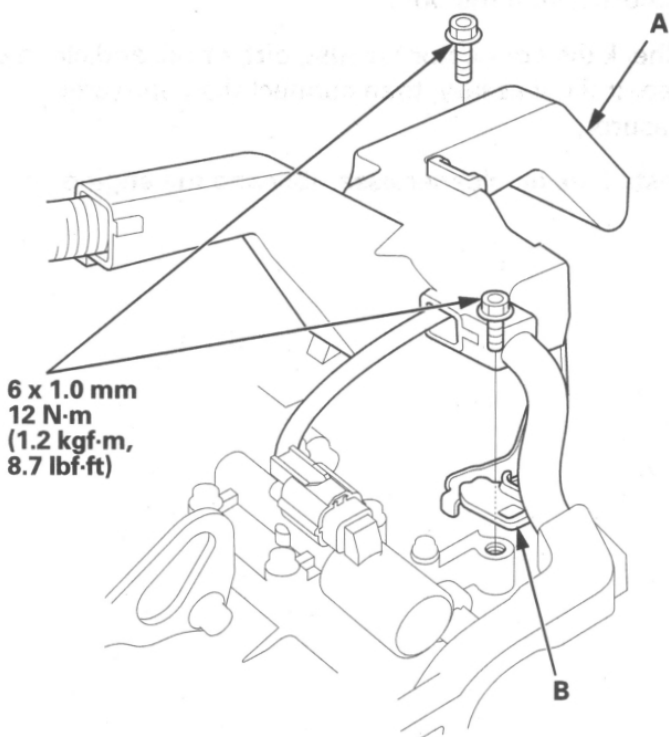
3. Install new transmission fluid pressure switch A (2nd clutch) and a new sealing washer, and tighten the switch.

4th Clutch Transmission Fluid Pressure Switch Replacement

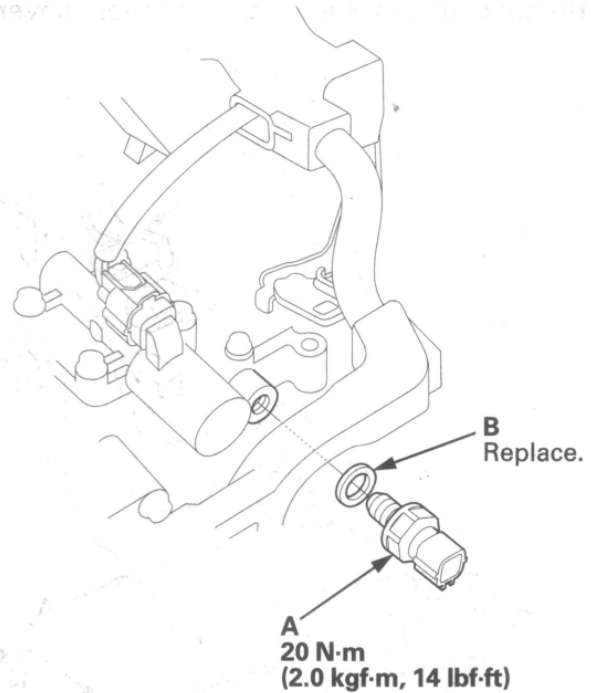
1. Remove the engine cover and the air cleaner assembly.
2. Remove the bolt securing the harness cover (A).



3. Remove the harness cover/clamp bracket (B), disconnect the 4th clutch transmission fluid pressure switch connector (C), then remove the harness cover from the bracket.
4. Remove the bolts securing the harness cover (A) and the harness cover/clamp bracket (B).



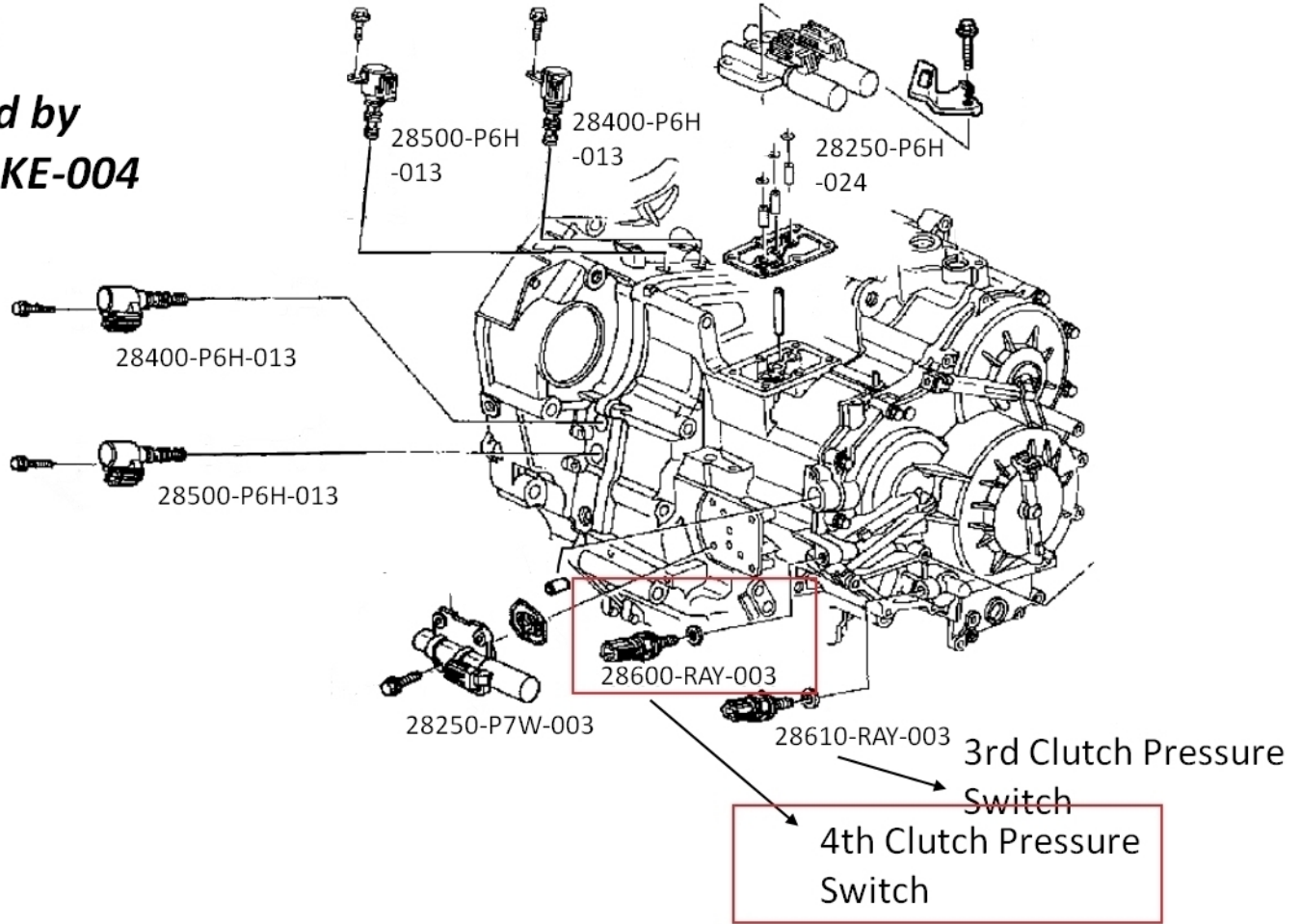
5. Remove the 4th clutch transmission fluid pressure switch (A) and the sealing washer (B).



6. Install a new 4th clutch transmission fluid pressure switch and a new sealing washer (B), and tighten the switch.
7. Secure the harness cover and the harness cover/clamp bracket with the bolts, and install the harness clamp on the bracket.
8. Install the harness cover on the cover bracket, and secure it with the bolt.
9. Check the connector for rust, dirt, or oil, and clean or repair if necessary, then connect the connector securely.
10. Install the air cleaner assembly and the engine cover.

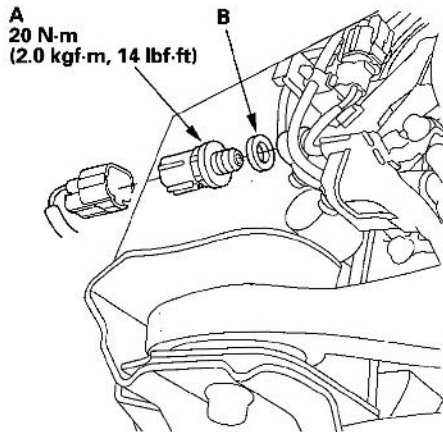
Model 3

Replaced by
28600-RKE-004



4th Clutch Transmission Fluid Pressure Switch Replacement

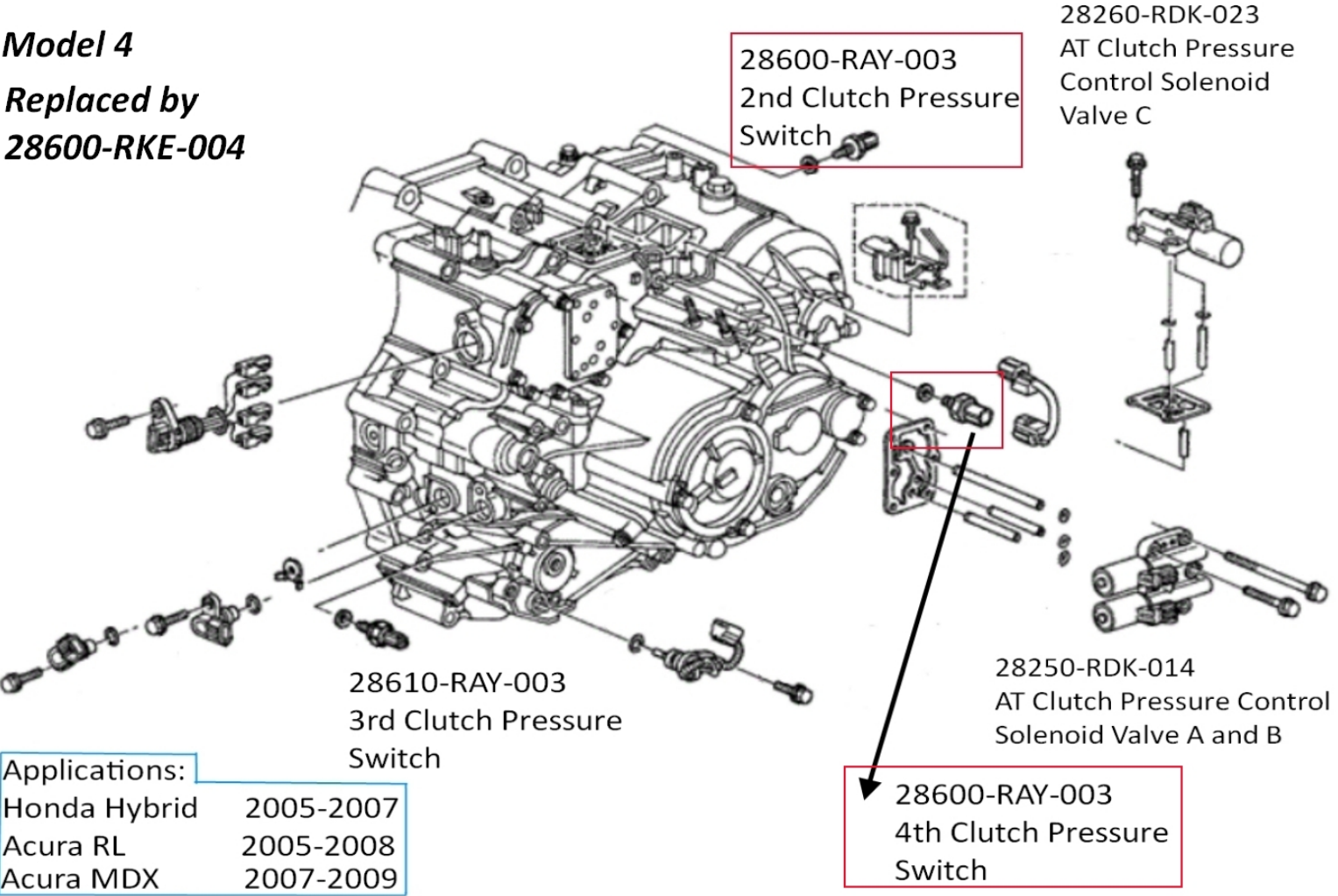
1. Raise the vehicle on a lift.
2. Remove the splash shield.
3. Disconnect the connector from the 4th clutch transmission fluid pressure switch (A).
4. Remove the switch, then install a new one with a new sealing washer (B). Do not tighten the switch using the plastic connector.
5. Check the connector for water, corrosion, dust, and oil, then connect the connector securely.
6. Install the splash shield.



Application:

5AT	
Honda Accord V6	2003-2007
Honda Pilot	2005
Acura TL	2004-2006

Model 4
Replaced by
28600-RKE-004



28600-RAY-003
 2nd Clutch Pressure
 Switch

28260-RDK-023
 AT Clutch Pressure
 Control Solenoid
 Valve C

28610-RAY-003
 3rd Clutch Pressure
 Switch

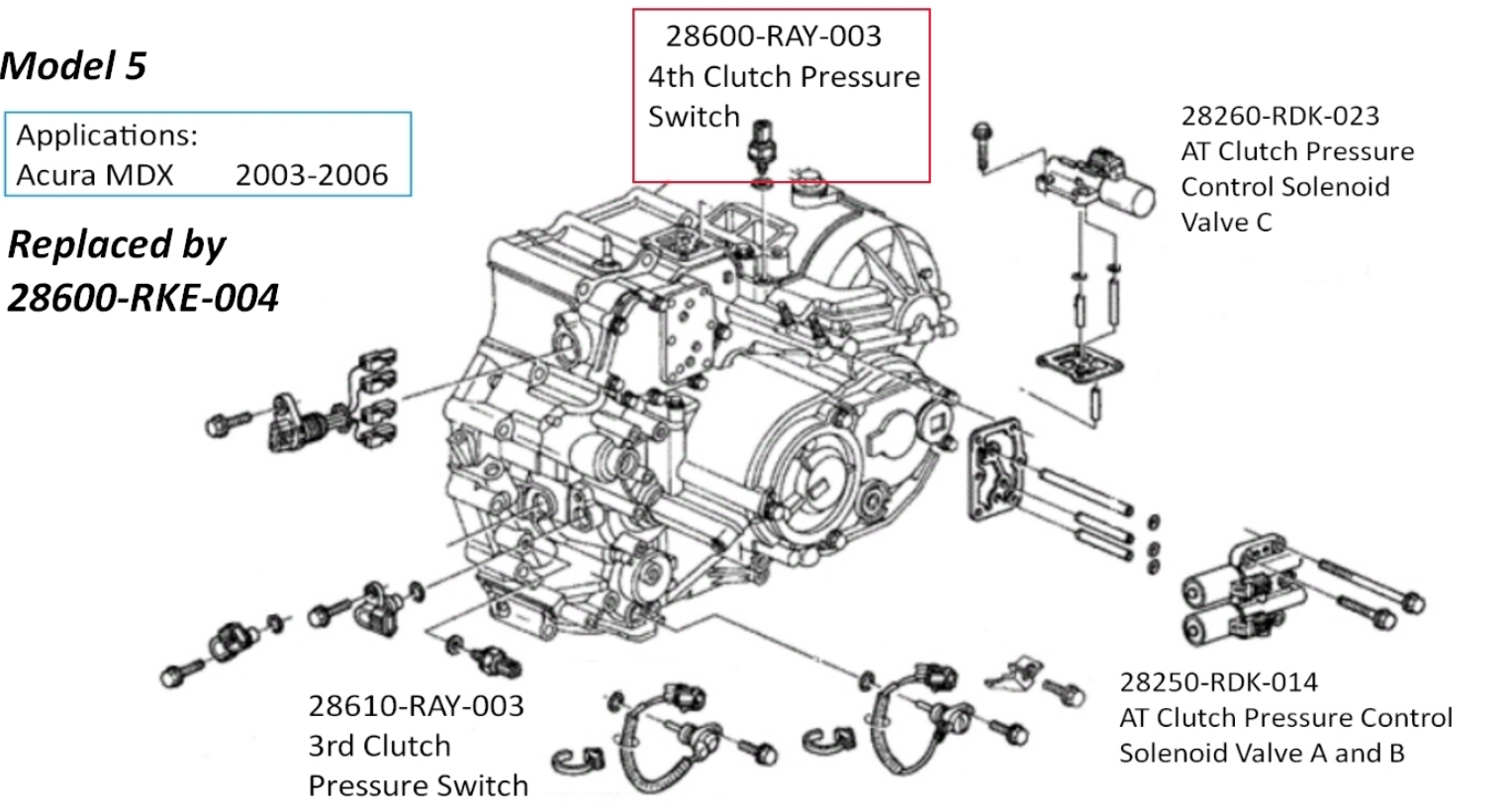
28250-RDK-014
 AT Clutch Pressure Control
 Solenoid Valve A and B

28600-RAY-003
 4th Clutch Pressure
 Switch

Applications:

Honda Hybrid	2005-2007
Acura RL	2005-2008
Acura MDX	2007-2009

Model 5
Replaced by
28600-RKE-004



28600-RAY-003
 4th Clutch Pressure
 Switch

28260-RDK-023
 AT Clutch Pressure
 Control Solenoid
 Valve C

28610-RAY-003
 3rd Clutch
 Pressure Switch

28250-RDK-014
 AT Clutch Pressure Control
 Solenoid Valve A and B

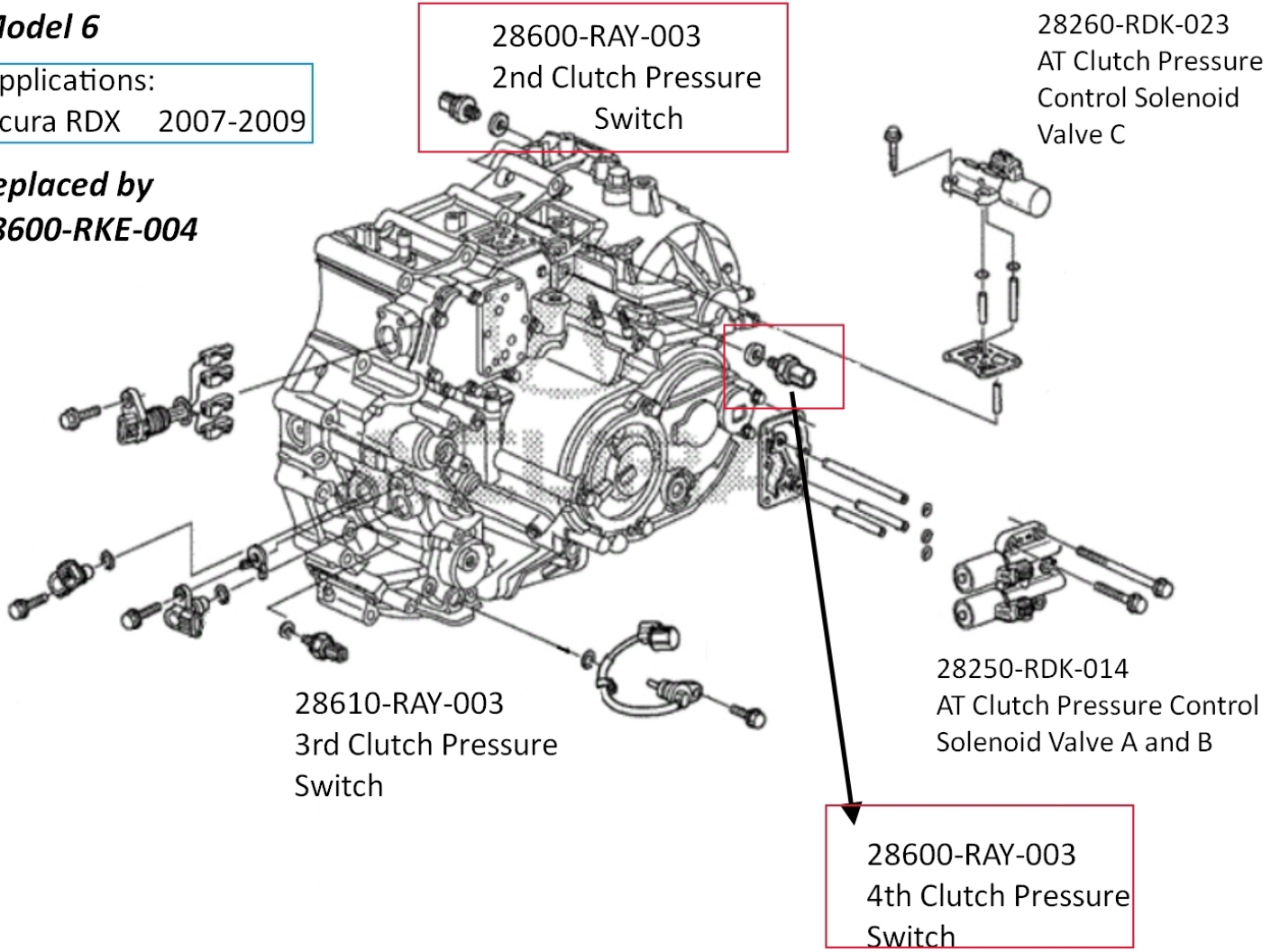
Applications:

Acura MDX	2003-2006
-----------	-----------

Model 6

Applications:
Acura RDX 2007-2009

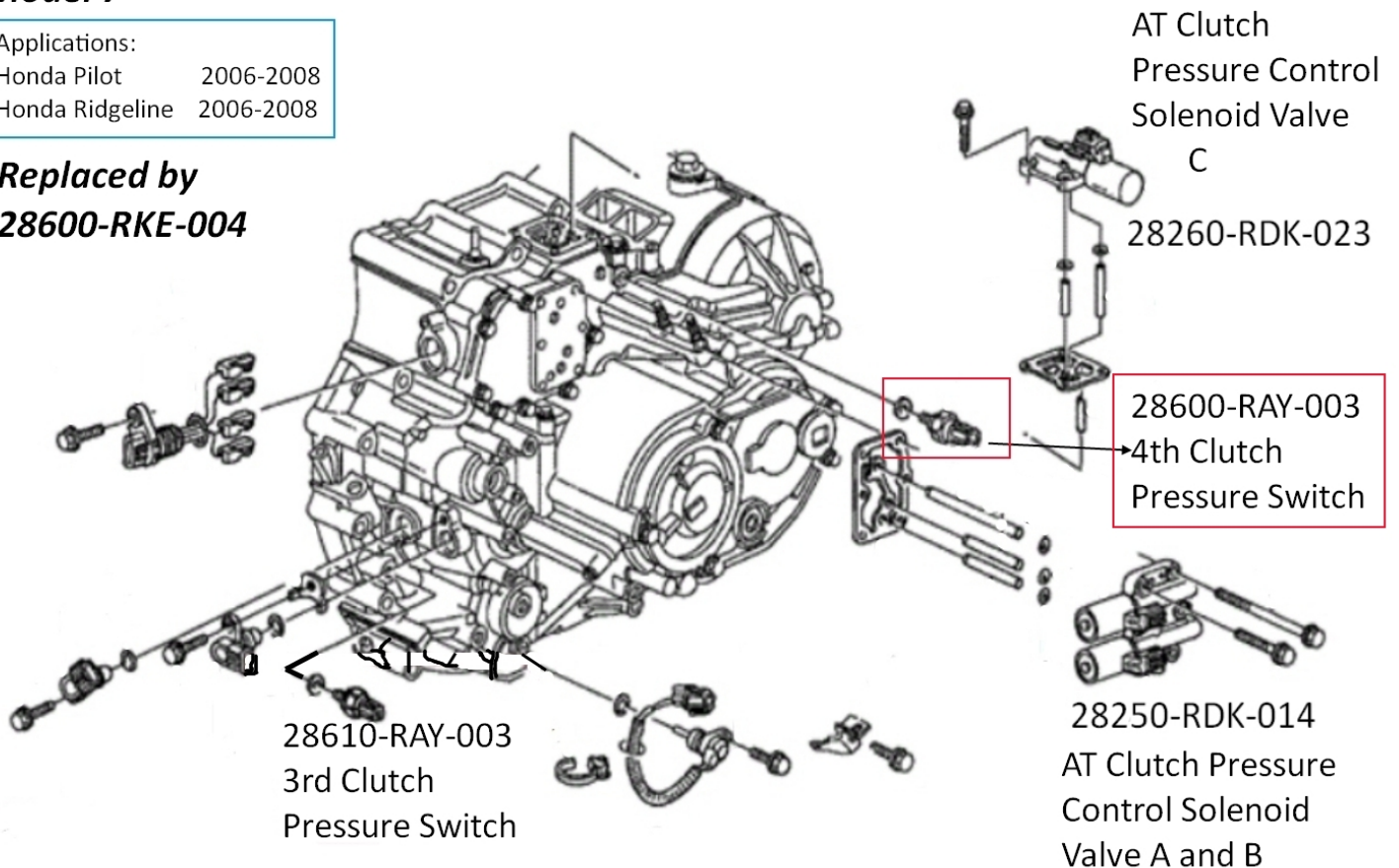
**Replaced by
28600-RKE-004**



Model 7

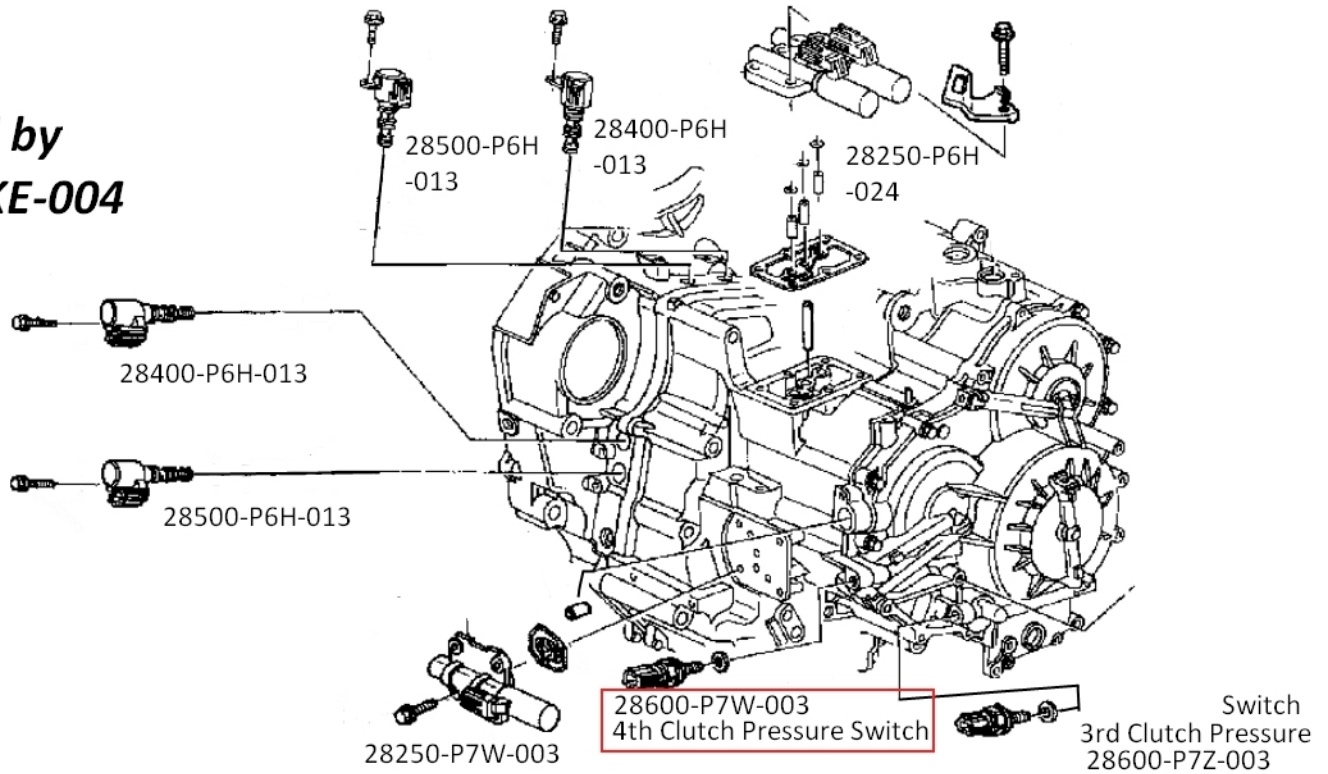
Applications:
Honda Pilot 2006-2008
Honda Ridgeline 2006-2008

**Replaced by
28600-RKE-004**



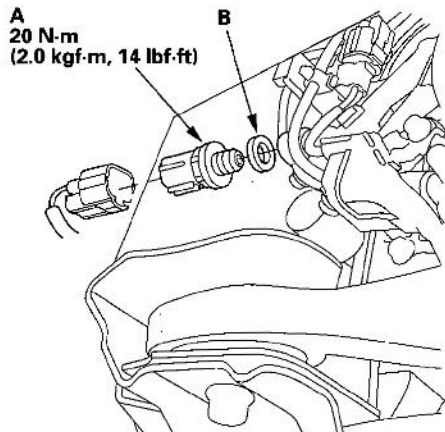
Model 8

Replaced by
28600-RKE-004



4th Clutch Transmission Fluid Pressure Switch Replacement

1. Raise the vehicle on a lift.
2. Remove the splash shield.
3. Disconnect the connector from the 4th clutch transmission fluid pressure switch (A).
4. Remove the switch, then install a new one with a new sealing washer (B). Do not tighten the switch using the plastic connector.
5. Check the connector for water, corrosion, dust, and oil, then connect the connector securely.
6. Install the splash shield.



Application:

5AT

Honda Odyssey 2002-2004

Honda Pilot 2003-2004

Acura CL 2002-2003

Acura MDX 2001-2002

Acura TL 2000-2003

