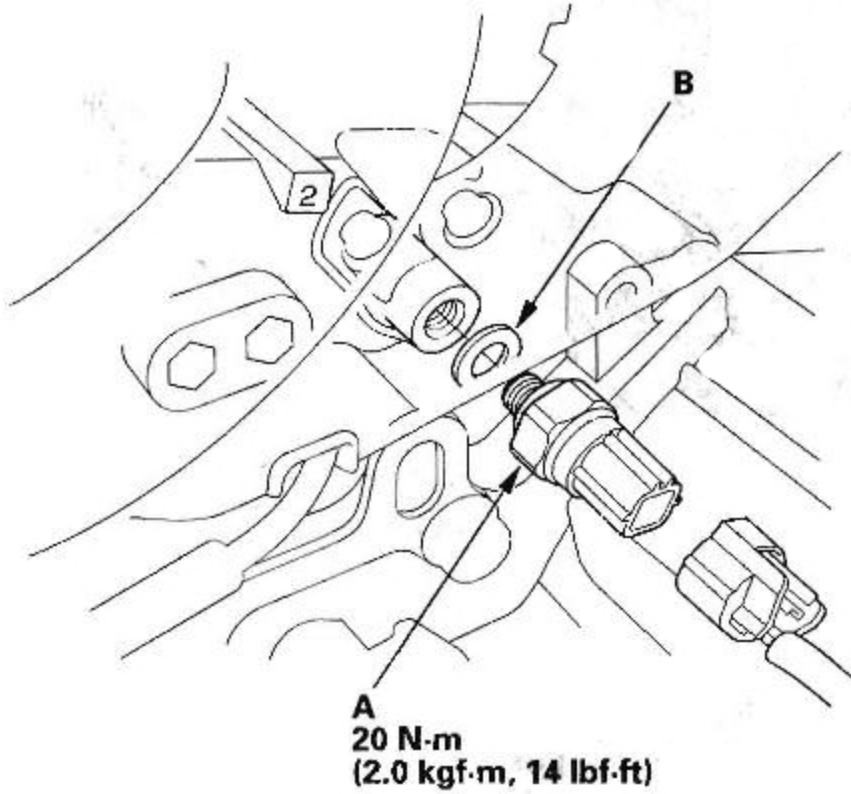


2nd Clutch Transmission Fluid Pressure Switch Replacement

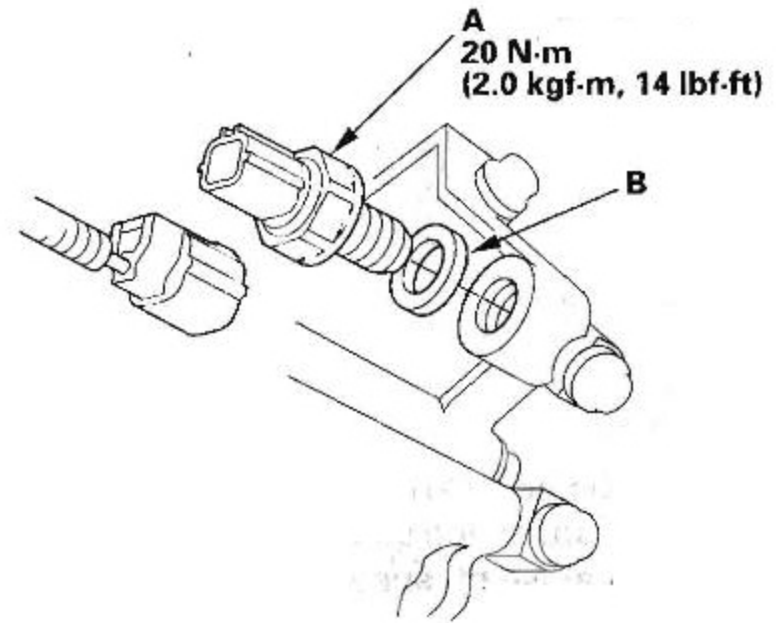
1. Remove the air cleaner housing and intake air duct
2. Disconnect the 2nd clutch transmission fluid pressure switch connector, and remove the switch
3. Install the new 2nd clutch transmission fluid pressure switch (A) and a new sealing washer (B), and tighten the switch.



4. Make sure there is no water, oil, dust, or foreign particles inside the connector.
5. Connect the connector securely.
6. Install the intake air duct and air cleaner housing.

3rd Clutch Transmission Fluid Pressure Switch Replacement

1. Raise the vehicle up on a lift, or apply the parking brake, block the rear wheels, and raise the front of the vehicle. Make sure it is securely supported.
2. Remove the splash shield.
3. Disconnect the 3rd clutch transmission fluid pressure switch connector, and remove the switch.
4. Install the new 3rd clutch transmission fluid pressure switch (A) and a new sealing washer (B), and tighten the switch.



5. Make sure there is no water, oil, dust, or foreign particles inside the connector.
6. Connect the connector securely.
7. Install the splash shield.

Application:

Mode 1
 4AT
 Honda CR-V 2003-2004
 Honda Element 2003-2006
 2nd Clutch Pressure Switch: 28600-RCL-004
 3rd Clutch Pressure Switch: 28610-RAY-013

Mode 2
 5AT
 Honda CR-V 2005
 Acura RSX 2006
 Acura TSX 2004-2006
 2nd Switch: 28600-RCL-004
 3rd Switch: 28600-RCL-013

Mode 3
 5AT
 Honda CR-V 2006
 2nd Switch: 28600-RCL-013/28600-RCL-004
 3rd Switch: 28600-RCL-004

Mode 5
 5AT
 Acura RSX 2003
 2nd: 28600-RCL-004/28600-PRP-004
 3rd: 28600-PRP-003

Mode 4
 5AT
 Honda Accord L4 2003-2005
 2nd Switch: 28600-RCL-004
 3rd Switch: 28600-RCL-004

Mode 6
 5AT
 Honda Accord L4 2006
 2nd: 28600-RCL-004/28600-RCR-004
 3rd: 28600-RCL-004

Mode 7
 5AT
 Honda Accord L4 2007
 2nd: 28600-RCR-004
 3rd: 28600-RCL-004

Mode 8
 5AT
 Acura RSX 2004-2005
 2nd: 28600-RCL-004
 3rd: 28600-PRP-003

28250-RPC-003

